

PATTON & COOKE CO.

25 kV

CABLE COUPLERS

650 Amp 3 Power + 1 Ground + 1 Pilot



Patton & Cooke is pleased to offer a 25 kV coupler that provides safe operation and handling, industry compatibility, reduced size and weight, reduced mating forces, elimination of special tools, simplified installation, and fast delivery. The 25 kV cable coupler and coupling system incorporates cable couplers and support skirts, accessories, termination kits and tools - all the equipment necessary for a complete and manageable cable connection.

APPLICATIONS:

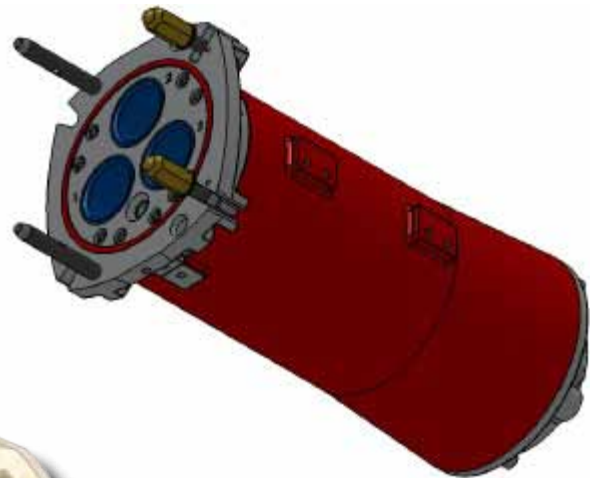
- Mining
- Tunneling
- Portable Power Generation
- Temporary Power Distribution
- Shaft Sinking

DESIGN:

Body: Aluminum
Insulator Characteristics: Shielded Individual Tube
Voltage: 25 kV
Current Rating: 650 Amp
Cable Range: 0.82" - 4.50" (21 mm - 114 mm)
IP Rating: 67

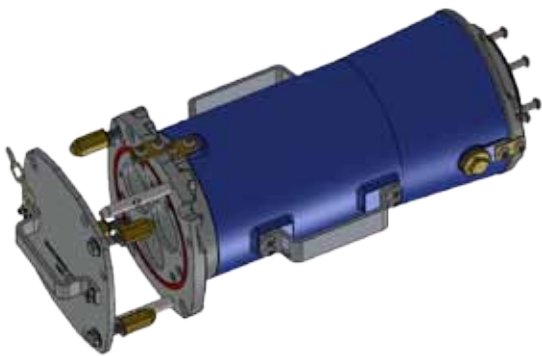
OPTIONS:

- Powder Coating
- Junction Box
- Optical Fiber
- Mounting Brackets



www.pattonandcooke.com

phone: 604.591.5374
email: info@pattonandcooke.com



PRODUCT FEATURES:

- Higher current carrying capacity
- Lower contact pressure
- Fully shielded phase compartment ensures no phase to phase faults
- Retained bolting system
- Intermateable with other products on the market

650 AMP COUPLER

Contact Structure: 3 Power + 1 Ground + 1 Pilot

Illustration (not to scale)	Description	Patton & Cooke Catalogue Number	Dimensions			Weight
			A	B	C	
	Cable Mount 25kV 650A	C250J2101	686 mm 27"	251 mm 9 7/8"	240 mm 9 7/16"	25.5 kg 55.5 lbs
	Equipment Mount 25kV 650A	C250J2002	343 mm 13 1/2"	251 mm 9 7/8"	240 mm 9 7/16"	16.01 kg 35.5 lbs

PHASE INSULATOR TERMINATION ASSEMBLIES

This Item is Ordered Separately from the Coupler Assembly		
Phase Insulator Terminator & Complete Plate Assembly Part No.	Diameter over Conductor Insulation	
	(in)	(mm)
C250J3010-BA	0.610-0.645	15.49-16.38
C250J3010-B	0.646-0.749	16.41-19.02
C250J3010-CA	0.750-0.885	19.05-22.48
C250J3010-C	0.886-0.970	22.50-24.64
C250J3010-DA	0.971-1.038	24.66-26.37
C250J3010-D	1.039-1.090	26.39-27.69
C250J3010-EA	1.091-1.104	27.71-28.04
C250J3010-E	1.105-1.260	28.07-32.00
C250J3010-FA	1.261-1.280	32.02-32.51
C250J3010-F	1.281-1.360	32.54-34.54
C250J3010-GA	1.361-1.400	34.57-35.56
C250J3010-G	1.401-1.510	35.59-38.13

COUPLER PART NUMBERS W/ ADAPTER PLATES

Assembly Part Number	Cable Range		Assembly Part Number	Cable Range	
	(in)	(mm)		(in)	(mm)
C250J2102-AC	0.95-1.01	24.0-25.7	C250J2102-BP	2.13-2.25	53.9-57.2
C250J2102-AD	1.02-1.06	25.8-26.7	C250J2102-BQ	2.26-2.37	57.3-60.2
C250J2102-AE	1.07-1.12	26.8-28.4	C250J2102-CR	2.38-2.50	60.3-63.5
C250J2102-AF	1.13-1.25	28.5-31.8	C250J2102-CS	2.51-2.62	63.6-66.5
C250J2102-AG	1.26-1.37	31.9-34.8	C250J2102-CT	2.63-2.75	66.6-69.9
C250J2102-AH	1.38-1.50	34.9-38.1	C250J2102-DU	2.76-2.87	70.0-72.9
C250J2102-AJ	1.51-1.62	38.2-41.1	C250J2102-DV	2.88-3.00	73.0-76.2
C250J2102-AK	1.63-1.75	41.2-44.5	C250J2102-DW	3.01-3.12	76.3-79.2
C250J2102-AL	1.76-1.87	44.6-47.5	C250J2102-DX	3.13-3.25	80.0-82.6
C250J2102-BM	1.88-2.00	47.6-50.8	C250J2102-DY	3.26-3.37	82.7-85.6
C250J2102-BN	2.01-2.12	50.9-53.8	C250J2102-DZ	3.38-3.50	85.7-88.9