



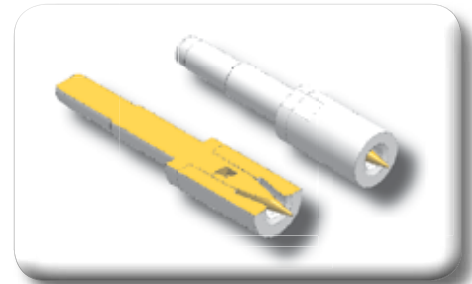
# PATTON & COOKE 15 kV, 500 Amp IMG Series Cable Couplers



Patton & Cooke is pleased to offer our IMG series of medium voltage cable coupler systems. These couplers are designed and manufactured for use in various mining (OP/UG), tunneling, power generation, sea port/shore and general industry operations to distribute power to mobile/portable, electric equipment. Numerous improvements have been integrated into the coupler designs in order to further increase safety, durability, and reliability in real world applications.

## PRODUCT FEATURES & BENEFITS

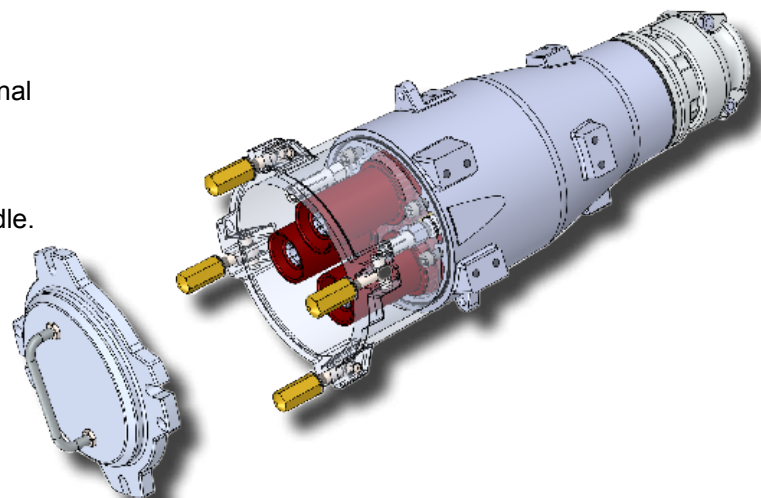
- Exclusive “Wedge Pin” type of wire termination ensures a secure contact and connection between conductors and pin/socket contacts.
- Spring band on female sockets ensures a secure and lasting connection between male and female contacts.
- Electrical stress-control adapter termination kit is reusable and provides air-free termination.
- Phase insulators are made from high strength, insulating, UL™ approved material ensuring durability, heat resistance and high dielectric strength.
- Cable entrance assembly is designed to seal and clamp cable to coupler to ensure IP-67 rating.



*Exclusive Wedge Pin  
Cable Connection*

## PRODUCT OPTIONS

- Junction to connect Male Cable End to Male Cable End.
- Durable, powder coat finish (various colours).
- LED Live Line Indication System.
- Optional “Key Interlock” system is an additional optional feature in the 15 kV system that prevents coupler disconnection, without prior switch house lock out.
- Provisioned for optional leg mounting or coupler handle.



**High Voltage Equipment Solutions. Design and Manufacturing.**

## PRODUCT SPECIFICATIONS

Maximum Voltage 15 kV; Maximum Amperage 500A	Silver-Plated Contacts
Standard Ambient Temperature: -40°C to +45°C (-40°F to +113°F)	Available in Cable Range from 34 - 130 mm <sup>2</sup> (#2 AWG - 250 MCM)
Standard Body Produced from AA 356.2 Alloy	Enclosure Degree of Protection: IP67H
Stainless Steel Hardware	Reusable Heat Resistant Silicone Termination Adapters
A.C. Withstand Voltage: 34kV dry (1 min)	D.C. Withstand Voltage: 53kV (15 mins)
BIL Withstand Voltage: 95kV (10 pos, 10 neg)	Partial Discharge at 10.8kV: <100pC

## 500 AMP COUPLER DIMENSIONS & WEIGHTS

Illustration (not to scale)	Coupler Rating (A)	Catalogue Number	Dimensions				Weight
			A	B	C	D	
<p>CABLE MOUNTED MALE</p>	500	<b>CSM15500</b>	274 mm 10.79"	496 mm 19.53"	642 mm 25.28"		22.19 kg 48.92 lbs
<p>CABLE MOUNTED FEMALE</p>	500	<b>CSF15500</b>	274 mm 10.79"	627 mm 24.69"	703 mm 27.68"		23.19 kg 51.13 lbs
<p>EQUIPMENT MOUNTED MALE</p>	500	<b>EMM15500</b>	313 mm 12.32"	88 mm 3.46"	108 mm 4.25"	130 mm 5.12"	17.10 kg 37.69 lbs
<p>EQUIPMENT MOUNTED FEMALE</p>	500	<b>EMF15500</b>	313 mm 12.32"	112 mm 4.41"	223 mm 8.78"	299 mm 11.77"	18.08 kg 39.86 lbs

## COUPLER CATALOGUE NUMBER COMBINATION GUIDE

Conductor Size		
(mm <sup>2</sup> )	(in)	Cat. No.
34 - 42	#2 - #1	02
54 - 67	1/0 - 2/0	20
85 - 107	3/0 - 4/0	40
127	250	250

Powder Coat Colour	
NO FINISH	—
WHITE	EW
ORANGE	EO
BLUE	EB
RED	ER

Configuration
F-FEMALE
M-MALE

Voltage Amperage (Max)
15500 - 15 kV, 500 A

**CS M 15500 - C - 01 - DZ - EW**

Coupler Type
CS-Cable Mount Coupler
AB-Adapter Box
EM-Equipment Mount
CL-Cable Mount Coupler w/ Leg Mount
CH-Cable Mount Coupler w/ Handle

Over Insulation Range		
(mm)	(in)	Cat. No.
16 - 19	0.64-0.76	F
19 - 22	0.76-0.85	G
22 - 25	0.85-0.98	H
25 - 28	0.98-1.09	J

Outside Cable Diameter (Applicable for Cable Mount only)		
(mm)	(in)	Cat. No.
26 - 27	1.01-1.05	AD
27 - 28	1.06-1.12	AE
29 - 32	1.13-1.25	AF
32 - 35	1.26-1.37	AG
35 - 38	1.38-1.50	AH
38 - 41	1.51-1.62	AJ
41 - 45	1.63-1.75	AK
45 - 48	1.76-1.87	AL
48 - 51	1.88-2.00	BM
51 - 54	2.01-2.12	BN
54 - 57	2.13-2.25	BP
57 - 60	2.26-2.37	BQ
61 - 64	2.38-2.50	CR
64 - 67	2.51-2.62	CS
67 - 70	2.63-2.75	CT
70 - 73	2.76-2.87	DU
73 - 76	2.88-3.00	DV
77 - 79	3.01-3.12	DW
80 - 83	3.13-3.25	DX
83 - 86	3.26-3.37	DY
86 - 89	3.38-3.50	DZ

### Options for 15 kV, 500 Amp Couplers:

- Cable Mount Coupler w/ Leg Mount
- Cable Mount Coupler w/ Handle
- Adapter Box
- Rotated Phases (Adapter Only)
- Straight Through (Adapter Only)
- Live Line Indicators (1 or 2)
- Interlock Key (Top, Limits, Un-Coupling)
- Interlock Key (Bottom, Limits, Coupling)

Please contact factory for any of the above mentioned options.