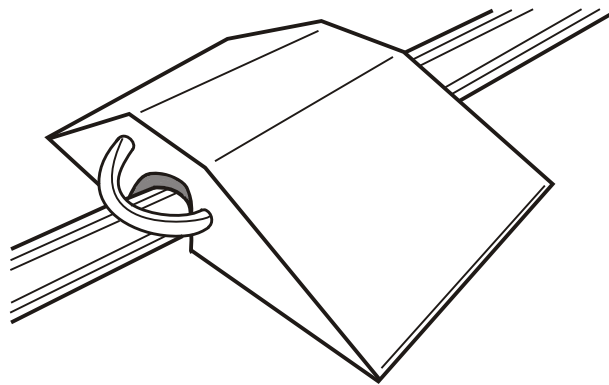




CABLE CROSSOVERS

Utility cable crossover pads are used by mine maintenance personnel to lay over electrical cables up to 114.3 mm or 4 1/2" in diameter. Crossover pads enable service vehicles to cross a cable during maintenance operations or in emergency situations. Complete with carrying handle for easy positioning. These cable crossover pads are not recommended for haul trucks.

Cable Diameter (mm) (in)		Weighth (kg) (lb)		Length (mm) (in)		Width (mm) (in)		Heighth (mm) (in)		Patton & Cooke Catalog Number
0- 76.2	0-3.00	16	35	760	30	460	18	130	5	CX-001
0-114.3	0-4.50	16	35	760	30	460	18	150	6	CX-002



CABLE CROSSOVER