

Heavy
HD
Duty

480kV MULTI-POINT COUPLER

PATTON & COOKE CO.

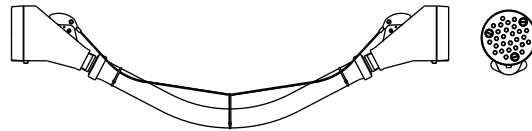
480 kV
27 Point
Heavy Duty
Coupler



- *The first heavy-duty, multipoint, 480kv Industrial coupler.*
- *The ideal solution for system control, communications, and data transfer applications*
- *27 individually configurable points for combination applications*
- *Flexible wire cover with safety release design*



At Patton & Cooke, our specialty is providing innovative, quality products for electrical distribution. Since 1961, we have been manufacturing trailing cable couplers for low, medium, and high voltage applications. And as with all of our products, we have incorporated this experience into the design of the Heavy-Duty 480kV Multipoint Coupler for variable applications.



Patton & Cooke advanced design and manufacturing processes use the highest quality materials to produce superior products at competitive prices.

What makes this coupler so unique? Well, for starters there are 27 individually configurable poles, each capable of accommodating wire up to #8 AWG. The heavy duty construction of this coupler ensures the signal will be maintained in the even the harshest operating environments.

All Patton & Cooke products are supported by excellent technical support and customer service. A complete spare parts inventory is maintained to ensure prompt availability for replacement parts.

Unique Features





Benefits

- | | |
|--|---|
| <ul style="list-style-type: none">• Available in 9 stock colors or customize your own• 27 pole circuits can be individually configured to carry different signals• Can be equipped with an optional disconnect handle for added protection• Safety disconnect available for non-stationary applications | <ul style="list-style-type: none">• Color coding options available for added safety• Protects against contamination from operating environment• Safety disconnect available for non-stationary applications• Easy coupling / decoupling helps prevent cable and contact damage |
|--|---|



Meeting your high
voltage electrical
equipment needs

SUPERIOR

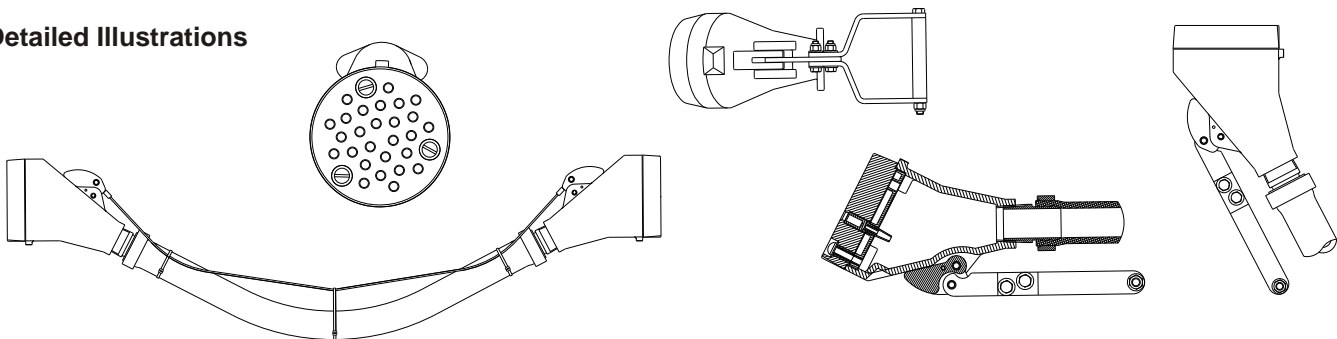
Product Illustration	Catalog Number	Dimensions	Weight
	JT27-F <u>x</u>	Length: 27" / 2743 mm Width: 5.25" / 133 mm Height: 12" / 305 mm	16 lbs. 7.3 kg.
	JT27-F <u>x y</u>	Length: 27" / 2743 mm Width: 5.25" / 133 mm Height: 12" / 305 mm	16 lbs. 7.3 kg.
	JT27C-F <u>x</u>	Length: 27" / 2743 mm Width: 5.25" / 133 mm Height: 12" / 305 mm	16 lbs. 7.3 kg.
	JT27C-F <u>x y</u>	Length: 27" / 2743 mm Width: 5.25" / 133 mm Height: 12" / 305 mm	16 lbs. 7.3 kg.
	JT27H-F <u>x</u>	Length: 27" / 2743 mm Width: 5.25" / 133 mm Height: 12" / 305 mm	16 lbs. 7.3 kg.
	JT27H-F <u>x y</u>	Length: 27" / 2743 mm Width: 5.25" / 133 mm Height: 12" / 305 mm	16 lbs. 7.3 kg.
	RT27F-F <u>x</u>	Length: 3.25" / 83 mm Width: 6.88" / 175 mm Height: 6.88" / 175 mm	4.5 lbs. 2 kg.

SELECTION REMINDERS: Lengths shown are for the standard 108" jumper.

ORDERING PROCEDURE: 1. a. Determine style b. Select catalog number
2.a. Determine length required (in inches) b. Substitute the length for x to complete the catalog number
3. Determine the wiring circuitry required then contact factory to complete the catalog number

TECHNOLOGY

Detailed Illustrations



To obtain a catalogue of Patton and Cooke products or listings of registered agents and distributors please contact us using the information below

FOR FURTHER INFORMATION:



Patton & Cooke Co.
7795-128th St.
Surrey BC
V3W 4E6
Tel: (604) 591-5374
Fax: (604) 591-3505
E-mail: info@pattonandcooke.com
Website: www.pattonandcooke.com



"Proudly
made by
Canadian
Labour"